

Builders Honda Heavy Industries Co. Ltd. - Japan
 No / Year #1056 / 26-09-2008
 Flag Hong Kong
 Call sign VRE03
 IMO/MMSI 9449352
 Home port Hong Kong
 Class Class NK
 Notation NS*(BC-XXI, EQ C V DG) MNS*
 Managers Ultrabulk A/S
 P&I Steamship



TYPE

Multipurpose general cargo vessel
 Flush tween deck
 Removable
 Semi boxhold
 Frames upper deck

TONNAGE

DWT incl TWD 13,802.00 mt
 GT / NT 10,021/4,520 mt

TANK CAPACITY

HF096% 724.40 m³
 MG096% 94.38 m³
 Ballast 4,410.17 m³
 Fresh Water 100.16 m³

DIMENSIONS

Length 124.56 m
 LPP 116.00 m
 Beam 21.20 m
 Draft fully loaded 9.16 m
 Air draft 36.64 m

CARGO HOLD CAPACITY

Cargo hold 1

Tanktop 585.67 m²
 Tweendeck 654.37 m²
 Hatch cover 405.00 m²
 Total 1,645.04 m²

Cargo hold 2

Tanktop 776.51 m²
 Tweendeck 954.00 m²
 Hatch cover 562.50 m²
 Total 2,293.01 m²

Volume

Hold 1 bale/grain 8,394.74 / 8,821.03 m³
 Hold 2 bale/grain 11,226.84 / 11,862.51 m³
 Total bale/grain 19,621.58 / 20,683.54 m³

Permissible Loads

Tanktop 14,7 mt/m²
 Tweendeck 3,9 mt/m²
 Hatch cover 2,5t mt/m²

Hold Equipment

Electrical ventilation
 Electrical hoist for shifting tween deck covers
 Dehumidifier fitted in hold
 3 air changes pr. hour
 CO2 fitted
 Fitted for carrying dangerous goods

Engines

Main Engine

2 Stroke engine 4,200 kW

Bow Thruster

Bow Thruster 596 kW

Aux: 2 x 550 kW

CARGO GEAR

Cranes

2 x Electro hydraulic cranes

Lifting capacity

Cranes SWL 1&2: 50 mt/ 30,0m

Cranes combinable: 100 mt/ 30,0m

Containers

Total w/o twd 538 TEU

248 TEU

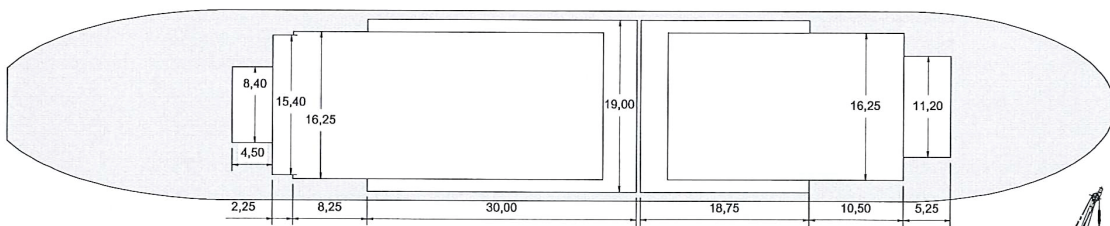
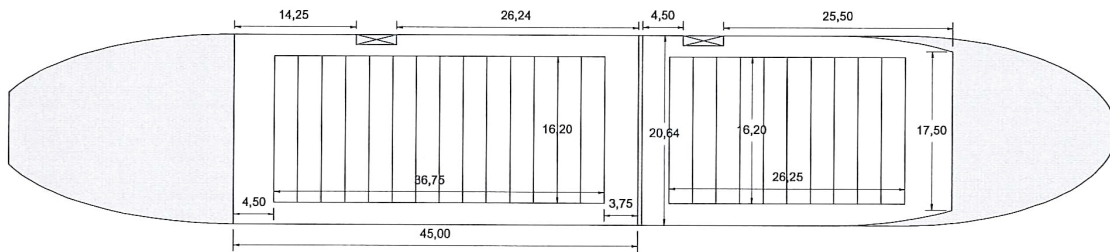
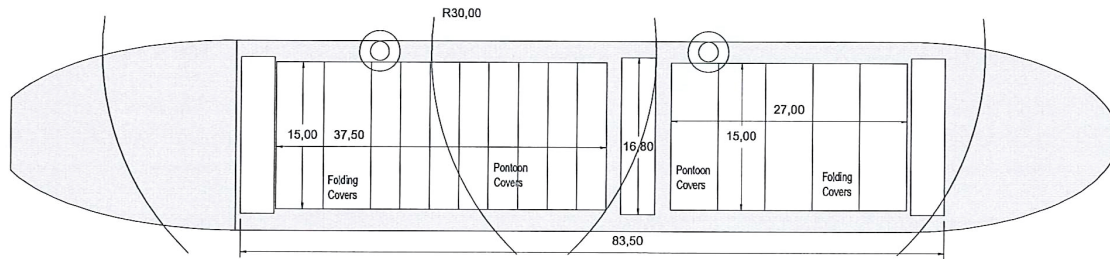
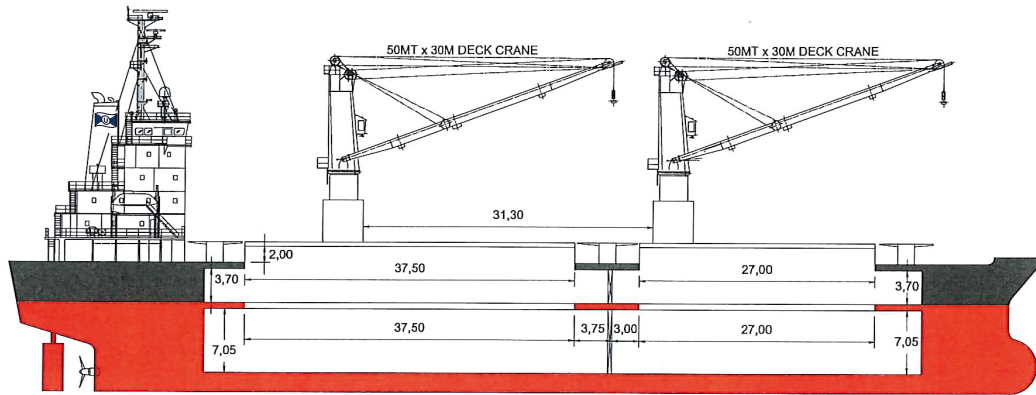
Hatch sequence

Hold #1 Folding covers 1 & 2
Pontoons covers 3 - 4 & 5

Hold #2 Folding covers 13 & 14
Pontoons 6 - 7 - 8 - 9
-10 - 11 & 12

DETAILS BELIEVED TO BE CORRECT AND GIVEN IN GOOD FAITH, BUT WITHOUT GUARANTEE





DETAILS BELIEVED TO BE CORRECT AND GIVEN IN GOOD FAITH, BUT WITHOUT GUARANTEE

